

Model: UC1200-TMB12-V5



UA1200 Quick Specs

Operational weight**	6450 kg
Base plate*	Tecman UC1200 Adapted to customer
Rotation*	170°

Power pack

Oil volume	450 l
Pump option	Piston: 90cc
Electric motor	45 kW
Control system	Electric/Hydraulic
PLC Optional	- Pedestal type - Radio - Operator's seat
Oil cooler heat dissipation	10 kW
Control box	IP66
Oil filtration	10 μ
Air filtration	10 μ
Auto low oil level cut out	Standard
Auto high temperature cut out	80°
Motor starter	Standard

Hammer options

TMB 12-V5	1,200 kg
TMB 15-V5	1,600 kg
TMB 17-V5	1,870 kg

* All parameters can be custom designed to suit individual requirements
 ** Weight fitted with Tecman TMB12-V5 hydraulic hammer

TECMAN
Saint Quentin
FRANCE

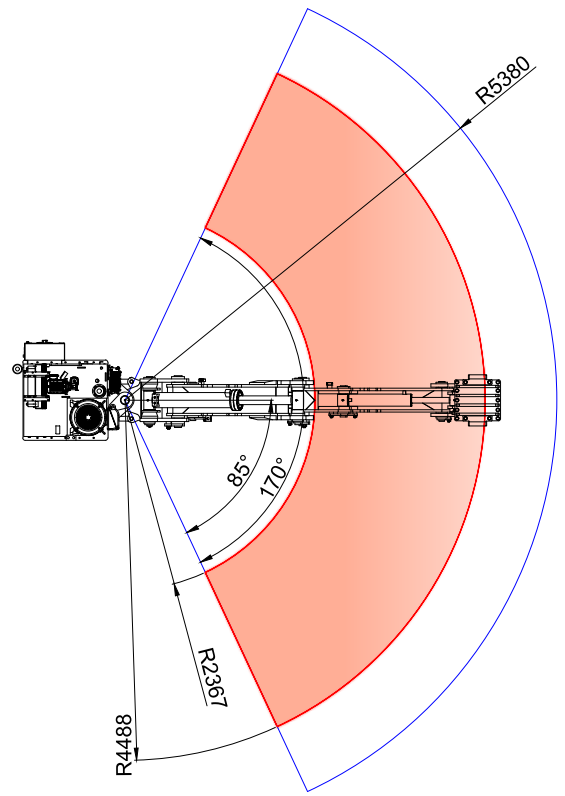
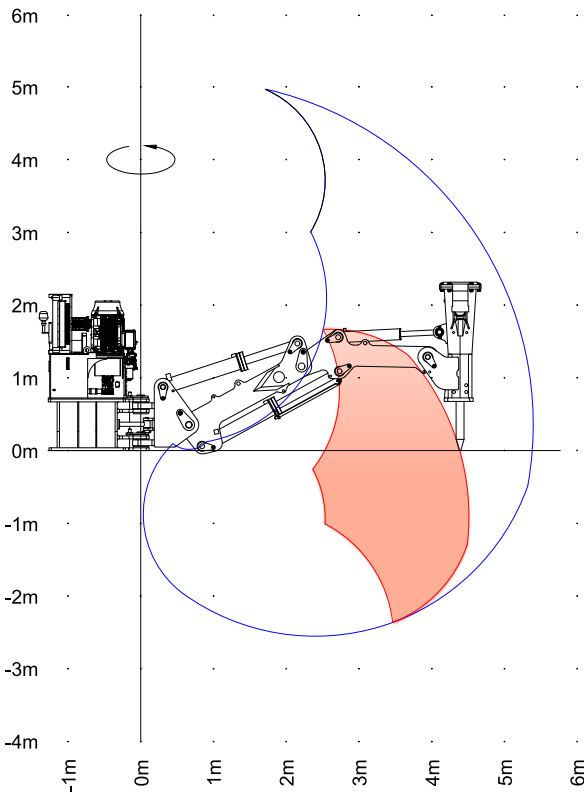
Phone: +33 (0) 323 644 700
 Fax: +33 (0) 323 640 611
 Email: tecman@tecman.com

TECMAN CHILE
Santiago
CHILE

Phone: +56 9 9006 7679
 Email: tecman@tecman.com

TECMAN SOUTH AFRICA
Johannesburg
SOUTH AFRICA

Phone: +27 (0) 113 974 229
 Fax: +27 (0) 113 977 388
 Email: tecman@tecman.co.za



UC1200 Hydraulic Hammer Compatibility

	Weight	Tool \varnothing	Min Block Size / Hardness	Max Block Size / Hardness
TMB 12-V5	1200 kg	115 mm	<0.5 m ³ / 160-290 Mpa	2 m ³ - 4 m ³ / 60-120 Mpa
TMB 15-V5	1600 kg	125 mm	<0.5 m ³ / 290-320 Mpa	0.5 m ³ - 1 m ³ / 120-160 Mpa

UA1200 Configuration

Hydraulic hammer	Standard	Motor starter	Standard
180° King post slew	Standard	Foundation kit	Optional
Rotary frame mounted power pack	Standard	Auto park and work position	Optional
Electric/Hydraulic control	Standard	Centralise greasing points	Optional
Radio control	Optional	Automatic grease system	Optional
Operator's seat	Optional	Oil cooler	Standard
Pedestal type control stand	Standard	Heater pack +5°C ~ -10°C	Optional
PLC Autosmart computer control	Standard	Arctic pack -10°C ~ -50°C	Optional
Long range operation	Optional	Custom design package	Standard
Fire suppression	Optional	Cabin	Optional